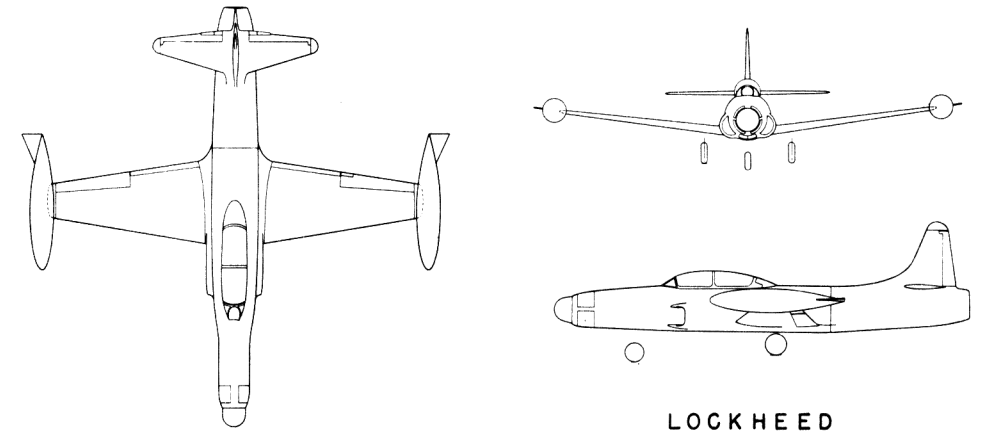


~~Confidential~~  
~~SECRET~~

A-1  
F-97A/CH-1  
PRELIMINARY

# Characteristics Summary

FIGHTER . . . . . F-97A



LOCKHEED

Wing area ..... 238 sq ft                      Length ..... 41.5 ft  
 Span (Minus tanks) ..... 37.6 ft                      Height ..... 12.7 ft

AVAILABILITY			PROCUREMENT			
Number available			Number to be delivered in fiscal years			
ACTIVE	RESERVE	TOTAL				

## STATUS

- All-weather fighter evolved from F-94A
- Contract has been initiated

POWER PLANT	
(1) J48-P-(?)	Pratt-Whitney
S.L.Static	LB - RPM
Max:	*8750
Mil:	6350
Nor:	5250 (Unknown)
*With afterburner operating	
JATO	
No. & Model	(2)12AS1000D4
Mfr	Aerojet
Thrust lb (ea)	1000
Duration (sec)	12

FEATURES	
Crew:	2
XA-1 Radar (two man)	
Instrument Landing System	
Zero Reader	
Hi Press. Oxygen	
F-5 Auto Pilot	
Thermal Anti-icing	
Hughes Collision Course	
Sight	
Thin Wing	
Jettisonable Seat & Canopy	
Rocket Nose	
AN/APX-6 Radar (IFF)	
Max Fuel Cap:	747 gal

ARMAMENT	
Turrets:	None
Guns:	None
Ammunition:	None
Bombs:	None
Rockets:	24x2.75"
	Folding Fin Type

Classification cancelled  
 of this report  
 AUTH: AFSG AFHC  
 By A. R. Lowman  
 Signature and Grade  
 15 Dec 1966  
 1 Jambx  
 Class. Guide  
 100 DIT 5100.10  
 Wing  
 2000

*Characteristics Summary Basic Mission* . . . . . F-97A

SEE NOTES

|----- COMBAT RADIUS=                      Nautical Miles -----|

<b>P E R F O R M A N C E</b>		
<b>COMBAT RADIUS</b>	<b>COMBAT RANGE</b>	<b>COMBAT SPEED</b>
naut. mi	naut. mi	knots at ft alt, max power
with      lb payload	with      lb payload	<b>MAXIMUM SPEED</b>
at      knots avg.	at      knots avg.	knots at ft alt, max power
in      hours.	in      hours.	
<b>C L I M B</b>	<b>C E I L I N G</b>	<b>T A K E - O F F</b>
fpm sea level, take-off weight normal power	ft 100 fpm, take-off weight normal power	ground run ft                      ft no assist              assisted
fpm sea level, combat weight maximum power	ft 500 fpm, combat weight maximum power	over 50 ft height ft                      ft no assist              assisted
<b>L O A D</b>	<b>W E I G H T S</b>	<b>S T A L L I N G S P E E D</b>
Fuel:                      gal	Empty.....              lb	knots flaps down, take-off weight
protected              %	Combat...              lb	<b>TIME TO CLIMB</b>
droppable              %	Take - off              lb	
external              %	limited by	

**N O T E S**

1. Performance data not available