

CONFIDENTIAL

Required to load missile

MLF Tender Crane
@ 30°

REACH

B/2	35'
Camel	8'
To outboard tube	13'
	56' from ship from barge side

Off centerline 20'
79' reach
- 20' to side of barge
59' from side of barge
3' to spare @ 30°

HEIGHT

Freeboard	19' 6"
Missile	34'
Sling	10'
	63' 6" above water

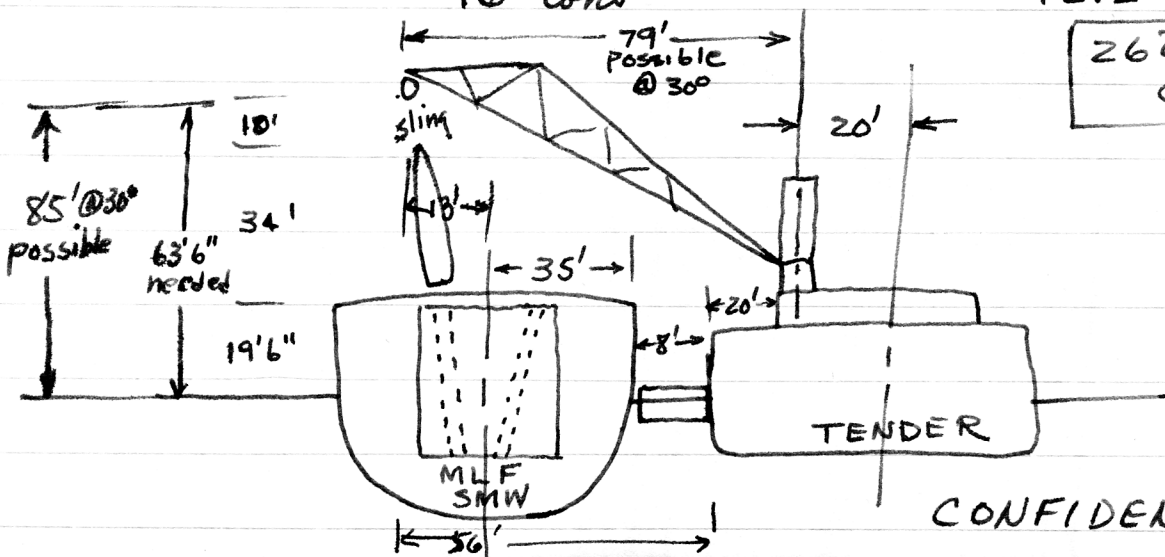
85' above water
21' 6" to spare @ 30°

Weight

16 tons

42.2 tons

26 tons to spare @ 30°



CONFIDENTIAL