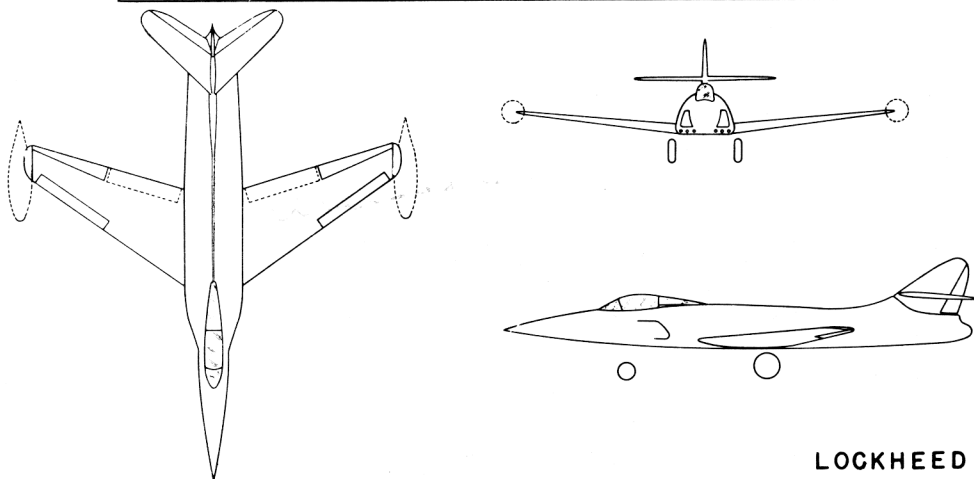


Characteristics Summary

FIGHTER XF-90



LOCKHEED

Wing area 350 sq ft Length 56.2 ft
Span 40.0 ft Height 15.8 ft

AVAILABILITY			PROCUREMENT			
Number available			Number to be delivered in fiscal years			
ACTIVE	RESERVE	TOTAL				

STATUS

- Teletype Authorization: 11 April 1946
- Contract Date: 20 June 1946
- Mock-up Inspection: December 1947
- Engineering Inspection: April 1949
- First Flight: (1st Art.) 3 June 1949; (2nd Art.) March 1950

POWER PLANT	
(2) XJ34-WE-11 Westinghouse	
ENGINE RATINGS	
S.L.Static	LB - RPM
Max:	*4100 - 12500
Mil:	2920 - 12500
Nor:	2420 - 11800
*With afterburners operating	
ATO	
No. & Model	(4) 12AS1000D4
Mfr	Aerojet
Thrust Lb (ea)	1000
Duration (sec)	12

FEATURES	
Crew:	1
Pressurization	
Cooling & Heating	
AN/APG-5 Radar	
A-1B Gun-Bomb-Rocket	
Sight	
Ejection Seat	
Dive Brakes	
Automatic Slats	
Adjustable Stabilizer	
Aileron Boost	
Two-Position Fowler Flaps	
Max Fuel Capacity:	1665 gal.

ARMAMENT	
Turrets:	None
Guns:	6x20mm
Ammunition:(tot.)	1602 rds
Max Bomb Load:	2x1000 lb
Max Bomb Size:	1000 lb
Rockets:	8x5'HVAR

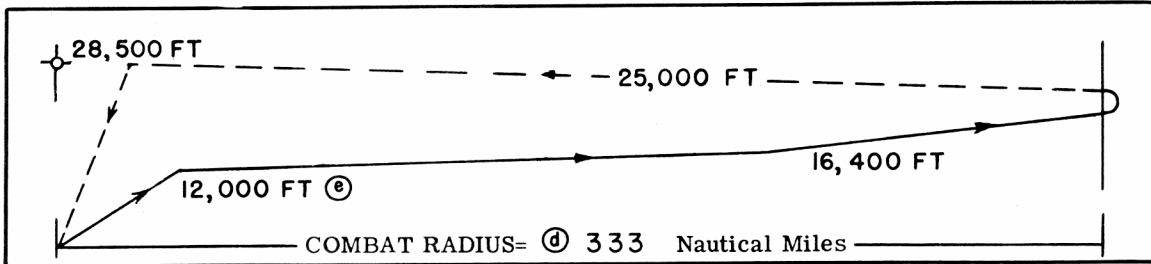
Classification cancelled
 or changed to _____
 AUTH: _____
 BY: _____
 Signature and Grade 8 Dec 66

Unclassified

EXPERIMENTAL

CONFIDENTIAL

Characteristics Summary Basic Mission ····· XF-90



P E R F O R M A N C E		
COMBAT RADIUS	COMBAT RANGE	COMBAT SPEED
(d) 333 naut. mi with 0 lb payload at 412 knots avg. in 2.03 hours.	(d) 912 naut. mi with 0 lb payload at 411 knots avg. in 2.3 hours.	550 knots at 25,000 ft alt, max power
		MAXIMUM SPEED
		579 knots at 1000 ft alt, max power
C L I M B	C E I L I N G	T A K E - O F F
723 fpm sea level, take-off weight normal power	13,800 ft 100 fpm, take-off weight normal power	ground run 6260ft no assist 5005ft assisted
7300 fpm sea level, combat weight maximum power	39,000 ft 500 fpm, combat weight maximum power	over 50 ft height 11,640ft no assist 6145ft assisted
L O A D	W E I G H T S	S T A L L I N G S P E E D
Bombs: None Ammunition: 1602 rds/20mm	Empty..... 18,523 lb Combat... 25,730 lb Take - off 31,062 lb limited by mission	126 knots flaps down, take-off weight
Fuel: 1665 gal protected 57 % droppable 43 % external 43 %		TIME TO CLIMB 4.5 min. S.L. to 25,000 ft. Combat Wt., Max Power

N O T E S

- PERFORMANCE BASIS:
 - Estimated data
 - Fuel density: 6.0 lb/gal
 - In computing Radius and Range, specific fuel consumptions have been increased 5% to allow for variation of fuel flow in service aircraft.
 - Radius and Range, are increased to 355 and 975 nautical miles when using JP-3 (6.5 lb/gal)
 - Deviations: Operational altitude limited by cruising ceiling.
- REVISION BASIS: To reflect change in security classification.

XF-90

CONFIDENTIAL

25 JAN. 1950