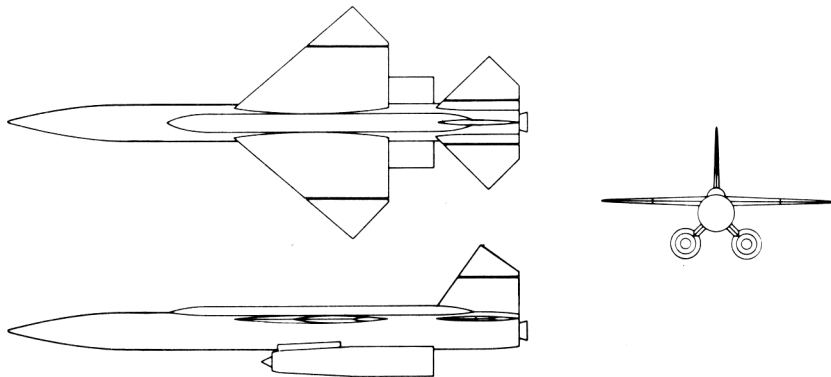


Characteristics Summary

FIGHTER (INTERCEPTOR) XF-99



"BOMARC"

A

BOEING

Wing Area 104.5 sq ft Length 41.2 ft
 Span 18.1 ft Height 10.3 ft

AVAILABILITY

PROCUREMENT

Number available			Number to be delivered in fiscal years			
ACTIVE	RESERVE	TOTAL				

STATUS

- Design and Development Phase Initiated: Dec 50
 - First Flight: 10 Sep 52
 - Phase I has been completed.
 - Phase II has progressed to the initiation of detail design, fabrication & testing R&D Vehicles.
 - Five of a total of 49 R&D XF-99's launched
 - R&D Completion: Aug 56 (est)
Mfr's Model: 624
- Navy Equivalent: None

POWER PLANT

(2) XRJ43-MA-3
Marquardt

THRUST RATINGS

ALT	-	LB	-	MACH
60,000	-	1730	-	2.50

BOOSTER

No. & Type.. (1) XLR59-AJ-5
 Mfr Aerojet
 Max Thrust (lb) 35,000
 Duration (sec) 30

NOTE: No external booster required. Liquid Rocket Engine integral to pilotless aircraft for launch and boost phase.

FEATURES

- Delta Wing
- Wing Tip Ailerons
- Tapered Cylindrical Body
- Vertical Fin and Fin Tip Rudder
- Movable Tail Surfaces

Max Fuel Cap: 269 gal
 Max Oxidizer Cap: . 154 gal

GUIDANCE

SYSTEM

- (a) INITIAL:
Preset Command
- (b) MID-COURSE:
Command
- (c) TERMINAL:
Active-Pulse-Radar-Target Seeker

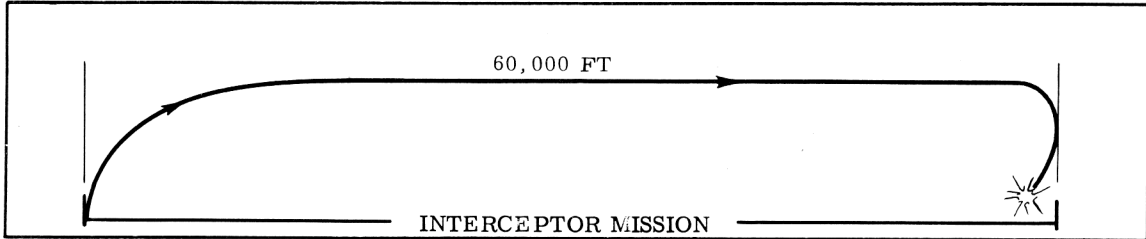
CONTROL

Type Autopilot Servo

Classification cancelled ~~Confidential~~ Unclassified
 or changed to ~~Confidential~~
 AUTH: AFSG-AFHC Selection Study
 BY: A. R. Sonnenborn, Director, Project 1900-10
 Signature and Grade: 15 Dec 1966 30 Mar 67

C5/XF-99 Bomarc/char

Characteristics Summary Basic Mission XF-99



P E R F O R M A N C E		
ENDURANCE	RANGE	S P E E D
Approximately 5.5 min.	125 naut mi. with 300 lb payload at 1363 knots avg. in 5.5 min	MAX 1437 knots at 60,000 ft alt, max power
LAUNCHING	CLIMB	ALTITUDE
Launched vertically from a subterranean protective shelter	60,000 ft in approximately 1 min.	Cruise alt constant at 60,000 ft.
	NOT AVAILABLE fpm ft alt, begin cruise wt., max power	End Cruise 60,000 ft.
L O A D	W E I G H T S	TARGET ACCURACY
Warhead: 300 lb Fuel 269 gal Oxidizer 154 gal protected 0 % droppable 0 % external 0 %	Empty 4500 lb Launch 12,000 lb	50% hits within 50 ft of target

N O T E S

1. PERFORMANCE BASIS:
(a) Estimated data (Not substantiated by WADC)

2. REVISION BASIS: To reflect latest characteristics and performance data.